



PROTECTING PERFORMANCE

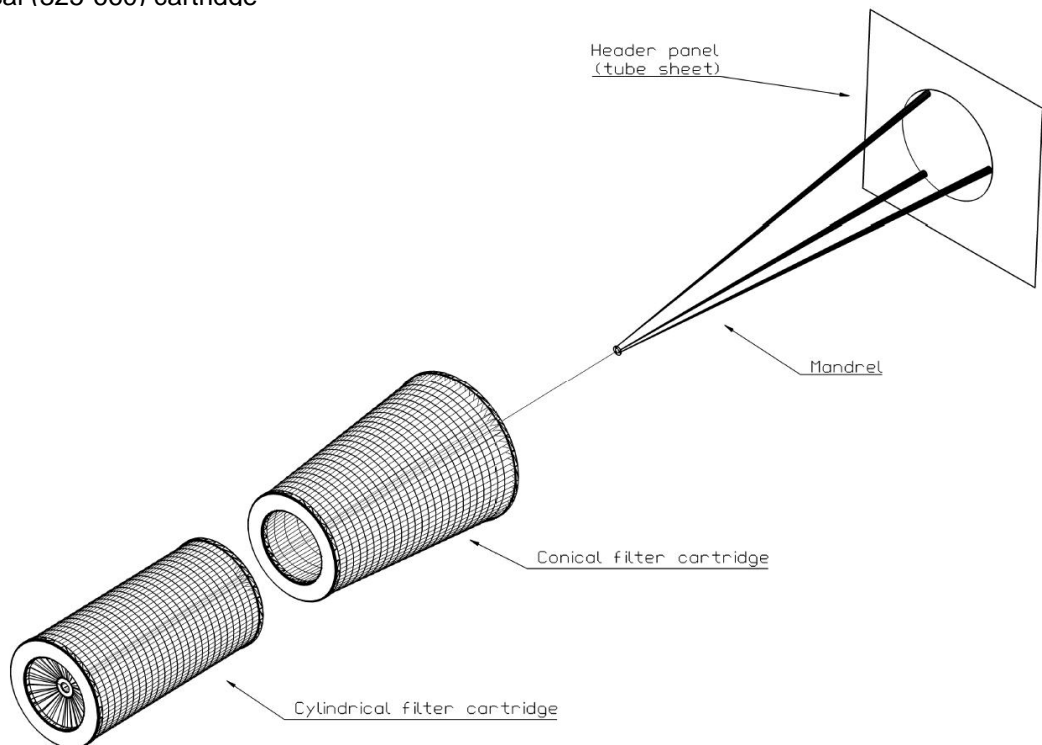
CARTRIDGE FILTERS

Eagle Filters' TurboMaster is two/three-stage static filter consisting of a G4 or F5 pleated pre-filter material at the outside together with a F7, F8 or F9 water resistant nanofiber material on the inside. It is therefore possible to have a filtration system that is equivalent in efficiency to static compact cells. The serviceable life of these filters is longer than regular compact cell filters due to the lower volume of airflow associated with pulse filter elements.

Pre-Filter cartridge can be waterproofed to prevent water droplets entering to the fine filter stage. In most cases the Eagle Filters' TurboMaster can replace existing pulse filters without any construction change to the existing mounting frame. TurboMaster 2500-DC is one of the most common designs of TurboMaster –filters consisting of Conical (445/325-660) and Cylindrical (325-660) cartridge

Operational Characteristics

- Filter classes from G4-H12 according to EN779 / EN1822
- All cartridge sizes and headers possible
- High burst pressure
- Water Repellency >900 mmWC
- Lower pressure drop compared to pulse filters
- Converts 99% of all pulse filter houses to static



DISCLAIMER: The information supplied in this document is for guidance only and should not be construed as warranty. All users of the filters are responsible for assuring that it is suitable for their needs environment and end use. All data is subjected to change as Eagle Filters Oy deems appropriate. Please visit www.eaglefilters.fi for contact information.